



AIOLA IM SCHLOSS

Andritzer Reichsstraße 144
 8046 Graz
 T +43 316 890 335
schloss@aiola.at
<http://schloss.aiola.at/>

Elegant, enchanted and transformed, these days, the Schloss St. Veit stately home, which was built in the 19th century, is both a luxury restaurant and a superb backdrop for events of every kind. The beautiful interior of the Schloss and its magnificent gardens make every event into a very special experience. The aiola in Schloss St. Veit is simply the perfect place to dream, enjoy life, hold a party and, of course, to get married.

ACCESSIBILITY

Accessibility by public transport

Please use the route planner of the Styria Public Transport Network (Verbundlinie Steiermark):
<https://verkehrsankunft.verbundlinie.at/>

Parking

Free parking just down the hill from the Schloss. From there, a steep paved path leads to the Schloss and the restaurant. Cars are permitted access to the front of the restaurant in exceptional cases.

ENTRANCE AREA

Access is very difficult due to the fine gravel in front of the entrance.

- Entrance door: Hinged door made of glass, double leaf, clear door width 2 x 80 cm
- Handles: Bar handle on outside, horizontal emergency exit bar on inside
- Door stop: 1 cm

Door to restaurant area:

- Swing door made of glass with bar handle
- Clear door width 140 cm, no door stop



Entrance area



Entrance to restaurant



Interior area

INTERIOR AREA

- Carpet flooring suitable for wheelchairs
- Most tables and chairs movable
- Tables mostly 65 x 65 cm with centre table leg
- Lower edge of table 76 cm in height, under-table wheelchair access height 72 cm
- Counter height 120 cm, no under-table access



Interior area

OUTDOOR DINING AREA

- Although not all of the outdoor dining area is accessible, the tables directly in front of the restaurant are usable
- Partly gravel, partly concrete
- Tables and chairs and/or benches movable
- Long tables 78 cm lower edge of table, under-table wheelchair access height 73 cm; round tables under-table wheelchair access height 70 cm, table top diameter 90 cm



Outdoor dining area

TOILET

Same access as ladies WCs (straight ahead at the entrance)

Door to toilet area:

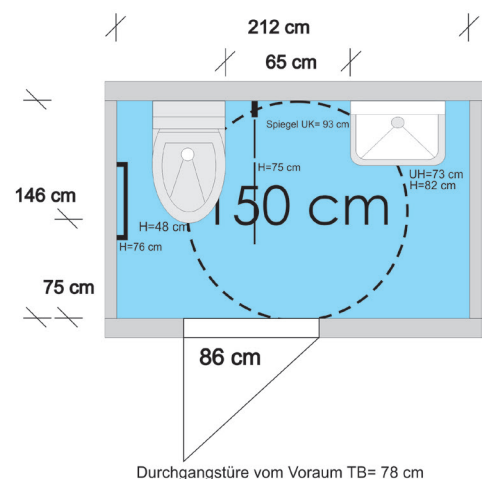
- Hinged door with lever handle
- Clear door width 78 cm, no door stop

Accessible toilet:

- Hinged door with lever handle, clear door width 86 cm
- Room dimensions: 212 x 146 cm
- Turning circle of 150 cm just guaranteed
- WC height: 48 cm (standard 46–48 cm)
- WC accessible from the right, only 65 cm space adjacent to WC
- 1 folding support rail at a height of 75 cm
- 1 angled grab bar at a height of 76 cm
- Washbasin: Lower edge 82 cm, wheelchair access height 73 cm
- Lower edge of mirror at a height of 93 cm
- No emergency bell available



Toilet



ADDITIONAL INFO

Baby changing facilities in the foyer to the ladies WCs